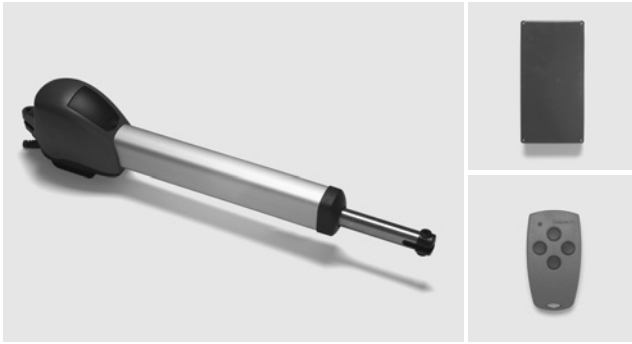


# Comfort 515

Opener systems for swing gates

1  
Swing gate openers



**E** **O** **S** EASY OPERATING SYSTEM

## Comfort 515, 515 L

2  
Sliding gate openers

Article	Article no.	Price each
Piston rod opener Comfort 515 single-wing version	82 175	
double-wing version	82 662	
Piston rod opener Comfort 515 L single-wing version	83 063	
double-wing version	83 064	

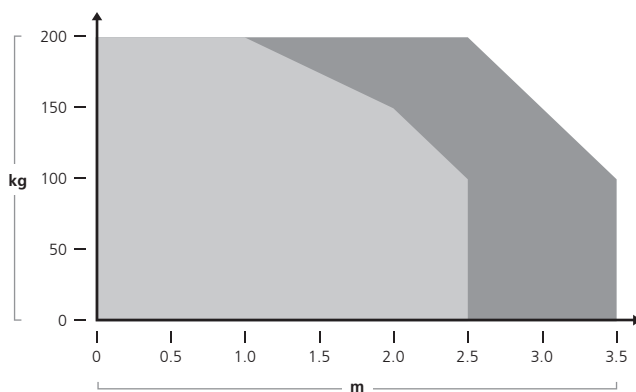
3  
Radio accessories

### Package

- First motor unit, pre-cabled 1,500 mm
- Second motor unit, pre-cabled 8,500 mm
- Separate control unit Control x.51
- Digital 178 module aerial with magnet stand aerial, 868 MHz Multi-Bit
- Digital 304 mini hand transmitter 4-channel, 868 MHz Multi-Bit
- Fittings, gate and post brackets (die-casted and blue chromated)
- Mounting material

4  
General accessories

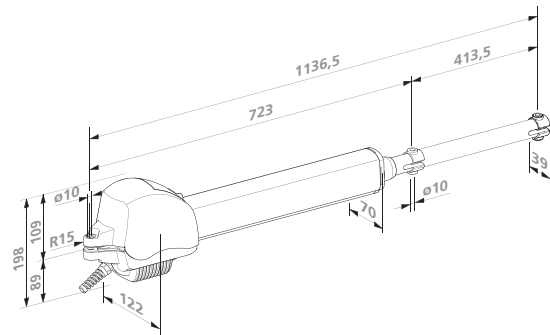
### Diagram of wing weights and wing widths



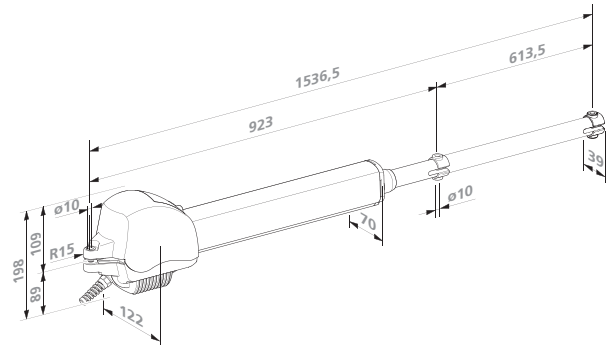
● Comfort 515 ● Comfort 515 L

### Dimensioned drawing

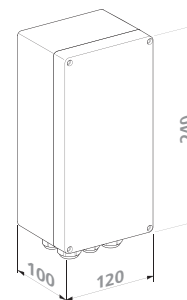
Comfort 515

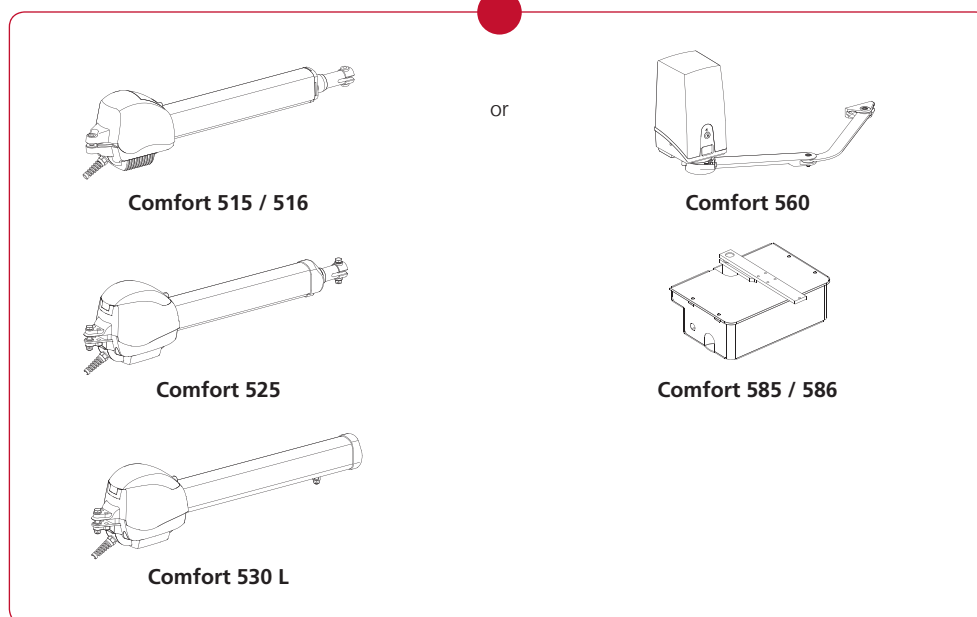
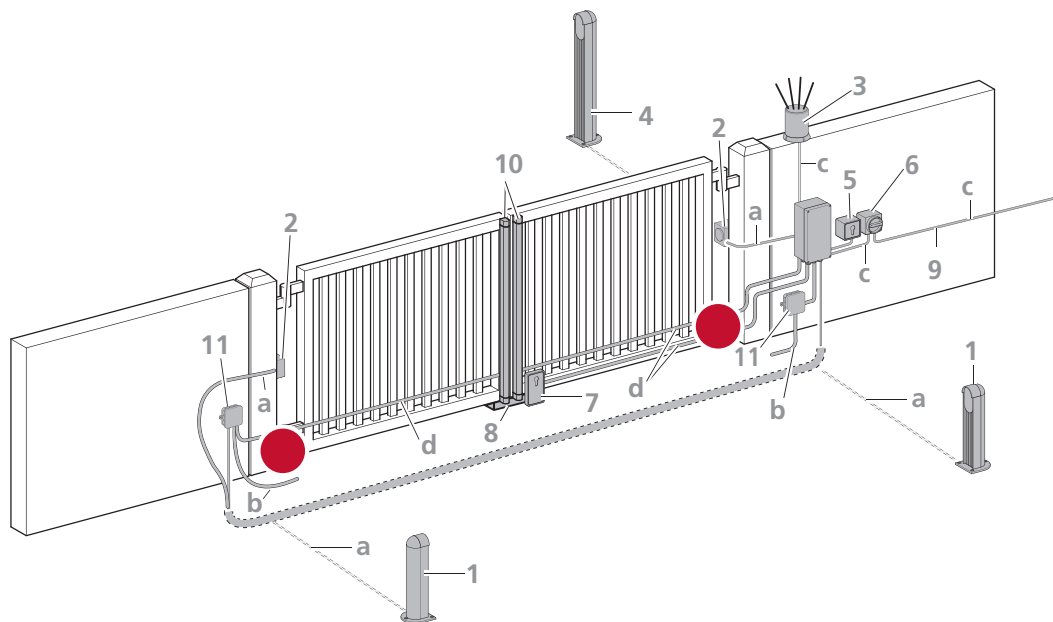


Comfort 515 L



Control x.51





### Available accessories

- 1 Photocell inside, e.g. Special 609
- 2 Photocell outside, e.g. Special 633
- 3 Signal light 230 V AC or 24 V DC
- 4 Post with command unit, e.g. Command 312
- 5 Key switch, e.g. Command 414
- 6 Main switch, all-pole breaking
- 7 Electrical lock, e.g. Special 403
- 8 Stop plate, e.g. Special 404
- 9 Mains cable
- 10 Closing edge safety device passive or active, e.g. Protect-Contact 700
- 11 Junction box

### Cabling

- a 2 x 0.5 mm<sup>2</sup>
- b Comfort 515 – 2 x 0.75 mm<sup>2</sup>  
Comfort 516, 525, 530 L, 585, 586 – 6 x 0.75 mm<sup>2</sup>  
Comfort 560 – 8 x 0.75 mm<sup>2</sup>
- c 3 x 1.5 mm<sup>2</sup>
- d 2 x 0.75 mm<sup>2</sup>

With the opener system Comfort 560 all accessories will be connected to the integrated control unit of one of the motor units.

Detailed information can be found in the manual of the opener system.

# Information

## Opener systems for swing gates

1 Swing gate openers

2 Sliding gate openers

3 Radio accessories

4 General accessories

Comfort 515 / 516      Comfort 515 L / 516 L      Comfort 525      Comfort 525 L      Comfort 530 L

### Application

Wing width (max.)	mm	2,500	3,500	3,000	4,000	3,500
Wing height (max.)	mm	2,000				
Wing weight (max.)	kg	200		400		350
Gradient (max.)	%	0			0*	
e-measurement	mm	0 to +160	0 to +260	0 to +160	0 to +260	+100 to +200

For stability purposes of the closed gate wings we recommend to install a mechanical stop.

The gate details listed above are not binding recommendations for easily movable gates; at higher wind loads the wind and drive moments must be checked, adapted and expanded with additional safety devices, if necessary.

\* Gradient only in combination with optional accessories.

### Mechanical details

Push and pull force (max.)	N	1,000			3,000	
Torque (max.)	Nm	-				
Door travel speed (max.)	mm/s	15 to 20				
Opening angle (max.)	°	120		115		
Opening time (gate-specific)	s	15 to 25				
Length of travel	mm	413.5	613.5	405	605	600

### Electrical details

Nominal voltage	V	230				
Nominal frequency	Hz	50				
Power consumption	A	3.2				
Power input in operation (approx.)	kW	0.4				
Power input in stand-by (approx.)	W	3.2				
Operation mode (duty cycle)		S2 – 5 min				
Motor voltage	V DC	24				
Control voltage	V DC	24				
Protection category motor unit	IP	44				
Protection category control unit	IP	65				
Protection class		I				

### General details

Weight motor unit (approx.)	kg	5.4	6.4	7.5	8.5	7.0
Weight control unit (approx.)	kg	2.4				
Range of temperature motor unit	°C	-20 to +60				
Range of temperature control unit	°C	-20 to +60				

# Information

## Opener systems for swing gates

1 Swing gate openers

2 Sliding gate openers

3 Radio accessories

4 General accessories

	Comfort 515 / 515 L	Comfort 516 / 516 L	Comfort 525 / 525 L	Comfort 530 L
<b>Features</b>				
Economy mode	•	•	•	•
Contact-free limit switches	•			
Reference point technology		•	•	•
Soft start/soft stop/soft run	•	•	•	•
Electronic push-open security	•	•	•	•
Excess travel stop	•	•	•	•
Lockable emergency release (accessible from outside)	•	•	•	•
Integrated environment lighting				
Integrated evaluation 8,2 kΩ	•	•	•	•
Marantec EOS programming	•	•	•	•
Programming and status indication via LED	•			
Programmierung und Programming and status indication via LC display		•	•	•
Direction of rotation programmable		•	•	•
Automatic closing function (only usable in combination with photocell)	•	•	•	•
Door open duration and warning time programmable	•	•	•	•
Lighting duration programmable	•	•	•	•
Lighting switchable via radio		•	•	•
Automatic cut-out OPEN and CLOSE separately programmable	•	•	•	•
Walk-in wing function programmable (double-wing systems)	•	•	•	•
Partial opening programmable (single-wing systems)		•	•	•
Gate travel speed OPEN and CLOSE separately programmable	•	•	•	•
Soft run position OPEN and CLOSE separately programmable		•	•	•
Soft run speed OPEN and CLOSE separately programmable	•	•	•	•
Relay output programmable: signal light, gate position OPEN or CLOSE, wiping impulse (1 s), malfunction, lighting	•	•	•	•
Servicing counter and door cycle counter		•	•	•
Servicing interval programmable		•	•	•
Fault messages	•			
Fault messages with memory		•	•	•
Simple reset function	•			
Multistage reset function (control unit, safety, remote etc.)		•	•	•
<b>Connection for:</b>				
Push button (conventional)	•	•	•	•
Push button (MS-Bus)		•	•	•
Marantec photocell OPEN and CLOSE (conventional)	•	•	•	•
Other's photocell CLOSE (conventional)	•			
Other's photocell OPEN and CLOSE (conventional)		•	•	•
Hold circuit (conventional)	•	•	•	•
Closing edge safety device 8,2 kOhm OPEN and CLOSE (conventional)	•	•	•	•
Signal light 24 V DC (conventional)	•	•	•	•
Electrical lock 24 V DC (conventional)	•	•	•	•
Battery backup	•	•	•	•
Power supply for external elements 24 V DC (max. mA) (conventional)	50	50	50	50